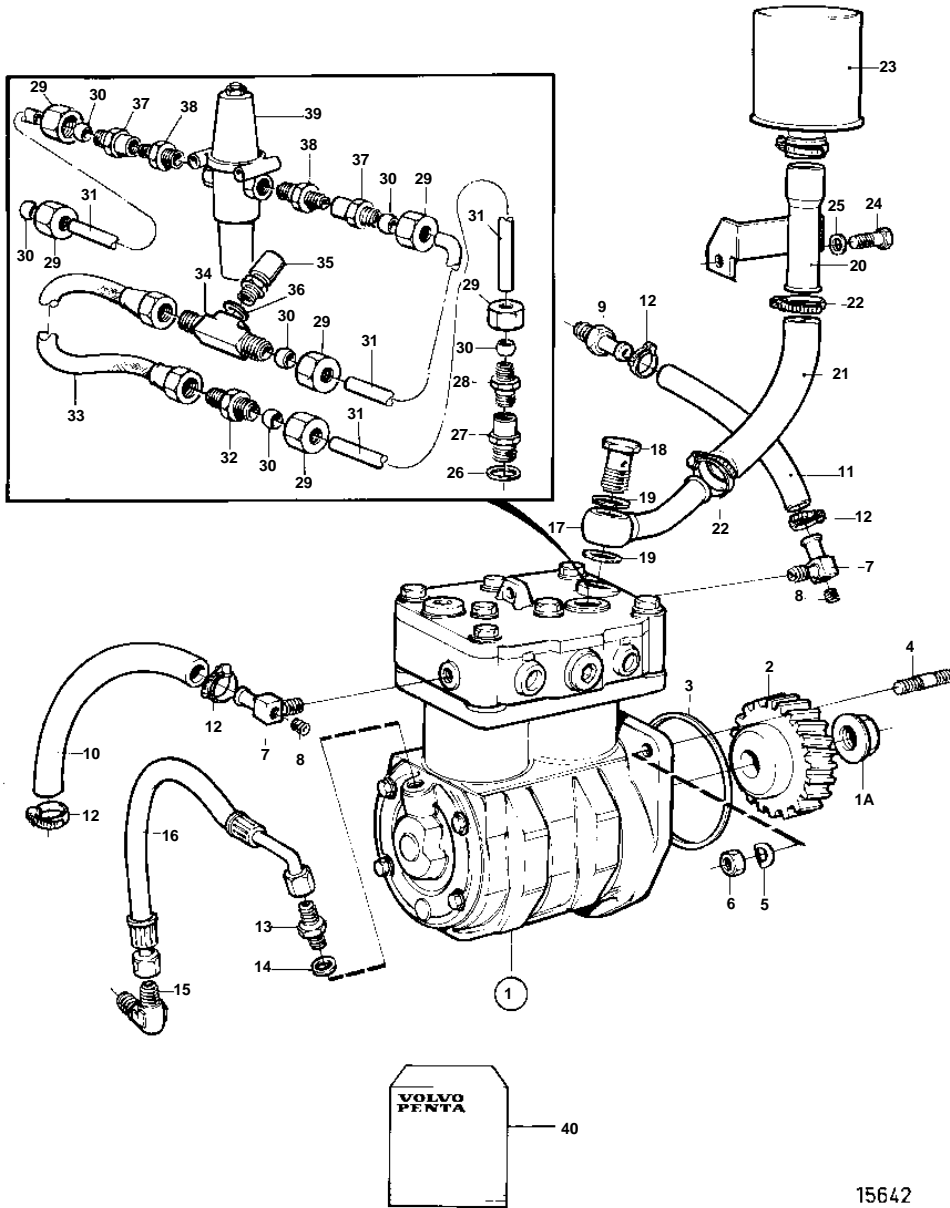


TWD1210P, TWD1211P



TWD1210P, TWD1211P

REF	PART NO.	QTY	DESCRIPTION	SEE SEC.	NOTES
1	1626060	1	Compressor		
	3803405	1	Compressor, exch		Exchange unit
				2032	
1A		1	· Nut		
2	478777	1	Gear		
3	975610	1	O-ring		
4	953346	3	Stud		
5	941911	3	Spring washer		
6	955828	3	Nut		
7	866161	2	T-nipple		
8	968060	2	Plug		
9	479978	1	Nipple, cylinder block		
10	941522	X	Hose, cool. water pipe		
11	941522	X	Hose		
12	943472	4	Hose clamp		
13	963947	1	Nipple		
14	957173	1	Gasket		
15	942376	1	Elbow nipple		
16	977651	1	Hose		
17	1598055	1	Nipple		
18	191620	1	Hollow screw		
19	957189	2	Gasket		
20	1094583	1	Bracket		
21	967553	X	Hose		L=200mm
22	943474	2	Hose clamp		
23	8152010	1	Air filter		
24	955525	1	Screw, cover-intercool.house		
25	955894	1	Washer, cover-intercool.house		
26	947628	1	Gasket		
27	978381	1	Nipple		
28	6781778	1	Nipple		
29	354145	6	Nut		
30	967810	6	Fitting		
31		X	Pipe	NS	
32	354141	1	Nipple		
33	967736	1	Hose		
34	948891	1	Nipple		
35	1591738	1	Valve		
36	11996	1	Gasket		
37	966419	2	Nipple		
38	966459	2	Nipple		
39	3953945	1	Regulator		(3126311)
40	276183	1	Gasket kit, air compressor		